

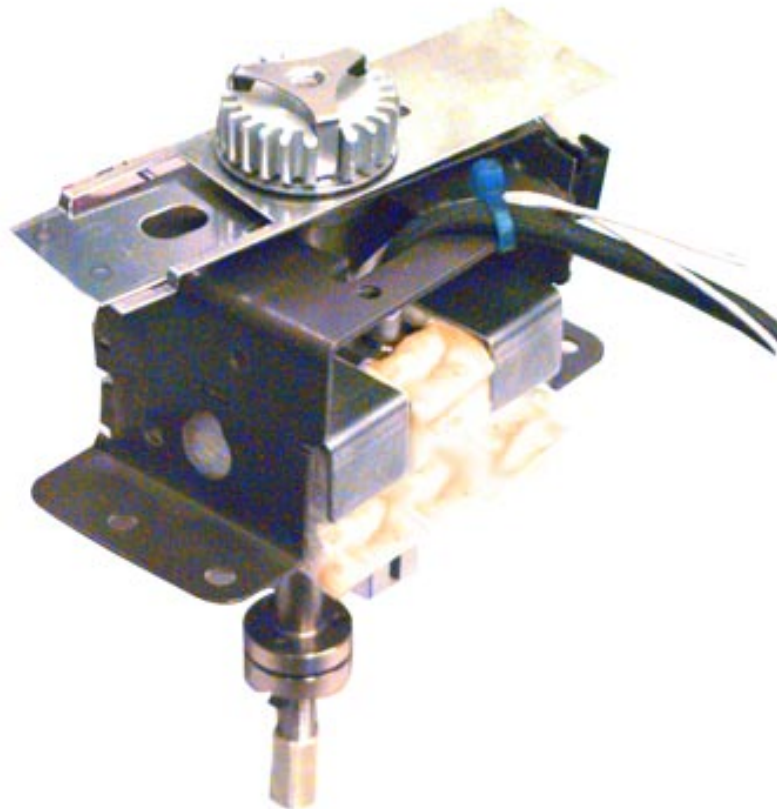
1079 INJECTOR

Subassembly

03-925445-01 (120v NO CRYO)

03-925445-02 (230v NO CRYO)

03-925445-03 (101v NO CRYO)

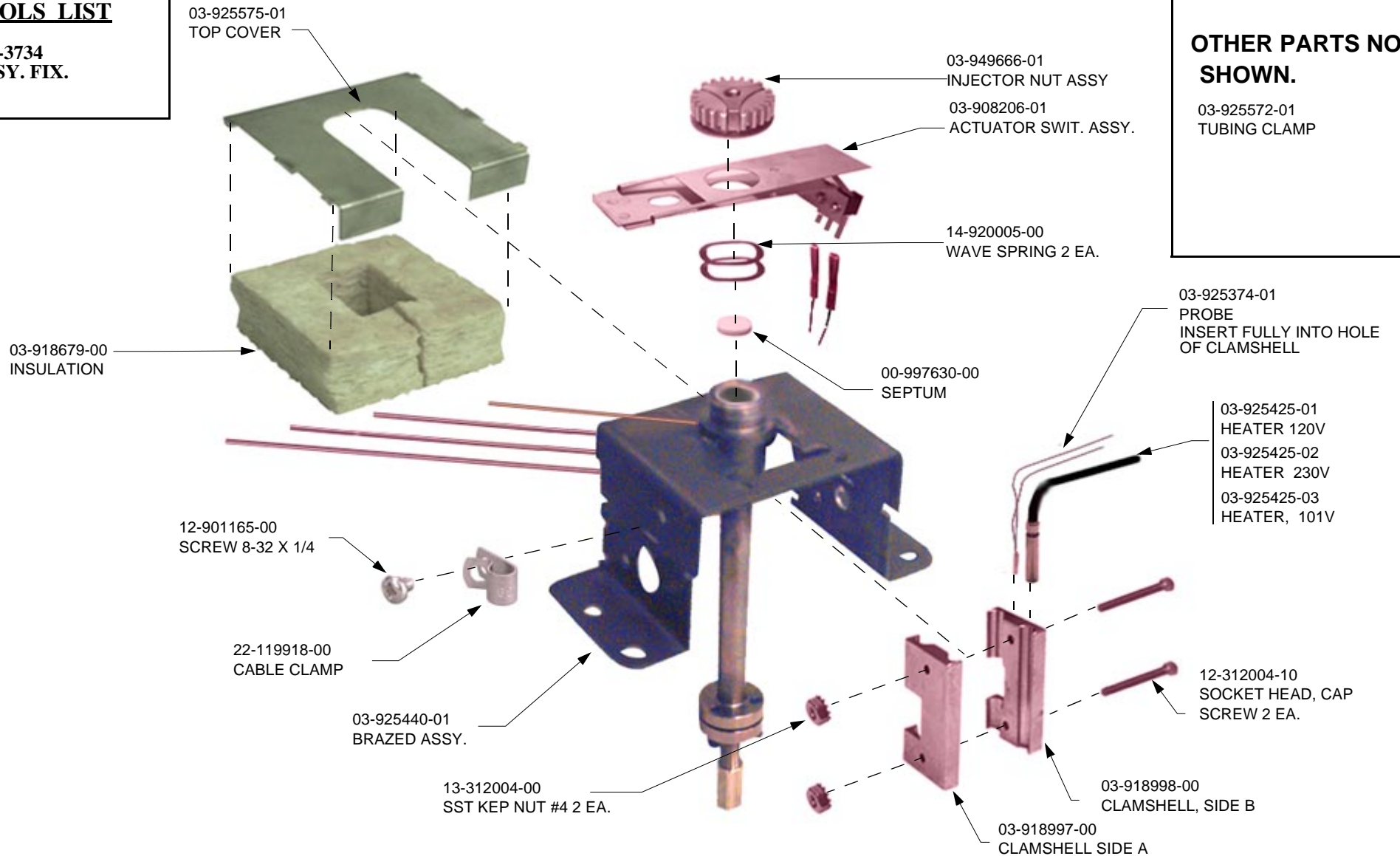


TOOLS LIST

1. T-3734
ASSY. FIX.

OTHER PARTS NOT SHOWN.

03-925572-01
TUBING CLAMP



OPERATION SEQUENCE

NOTE:

1. HEATER CARTRIDGE & PROBE CONTAINED BY CLAMSHELLS. END OF HEATER CARTRIDGE TO BE FLUSH WITH THE BOTTOM OF CLAMSHELLS.
2. CLAMSHELL ASSY. TO BE MOUNTED AS FAR UP THE CHAMBER TUBE AS POSSIBLE.